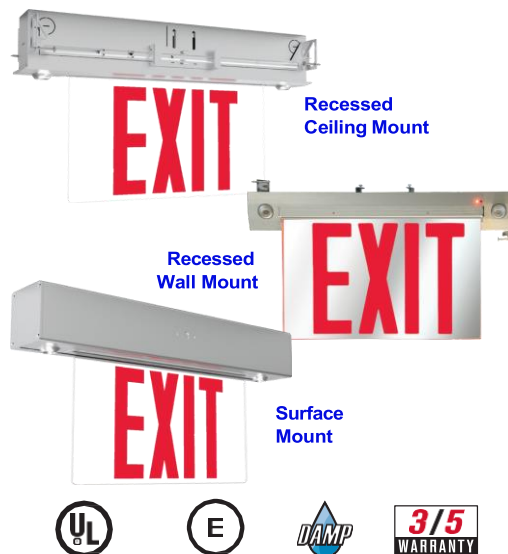


| | |
|---------------|--|
| Fixture Type: | |
| Model Number: | |
| Project: | |

C900 U Series LED Edge-lit Combo Exit Sign

The C900 U Series combines the architectural design of an edge-lit exit sign with fully adjustable recessed emergency LED lamp heads for a modern, low-profile aesthetic. The C900 U Series is designed for easy recessed or surface mount installation in ceilings or walls. Single- and double-face LED exit configurations are included with brushed aluminum, black or white housing finish options. The C900U Series is ideal for offices, classrooms, corridors, lobbies, and other indoor commercial spaces requiring a minimalist aesthetic for emergency lighting combined with an architectural exit sign.



SPECIFICATIONS

| | |
|-----------------|--|
| illumination: | Long-life, high-intensity, red or green LEDs with 2.5W LED lamp heads (non-G2 models) |
| Housing: | Steel or aluminum housing with high-grade acrylic panels |
| Input: | 120/277VAC Dual primary, 60Hz |
| Battery: | Maintenance-free NiMH battery |
| Operating Temp: | 5°C to 40°C (41°F to 104°F) |
| Run Time: | UL Listed 90-minute emergency run time, 24-hour recharge time |
| Electrical: | Low voltage disconnect eliminates deep discharge |
| Legend: | Fully illuminated 6" characters with 3/4" stroke, field-selectable directional chevrons, and comes standard with clear single-face and mirrored double-face panels |
| Mounting: | Surface ceiling, surface wall, recessed ceiling and recessed wall mounting. Includes surface mount canopy or recessed mount hardware |
| Finishes: | Brushed Aluminum, Black or White |
| Options: | E - Self-test/Self-diagnostics R - 3W Remote Capable. |
| Certifications: | UL 924 Listed, meets or exceeds NEC requirements and NFPA 101, Suitable for Damp Locations |
| Warranty: | Any component that fails due to a manufacturing defect is guaranteed for three years with a separate five-year prorated warranty on the battery. The warranty does not cover physical damage, abuse or instances of uncontrollable natural forces. |

FEATURES & BENEFITS

- Designed for simple installation and maintenance in any surface or recessed application, surface mount canopy or recessed mount hardware included.
- Universal - includes single-face (clear) and double-face (mirrored) panel configurations.
- Optional Self-test/Self-diagnostics (E) available.
- On-center spacing of 31" (for non-E models).
- 90 Minute emergency run time, 24-hour recharge time.
- UL 924 Listed for Damp Locations.
- Optional remote capability up to 3W.
- California Energy Commission (CEC) compliant.

ON-CENTER SPACING

(Using multiple units mounted at a typical 7.5-foot height, 85/50/20 reflectance)

| Model | # of LED Lamps | 3' Path, 6' Corridor | 6' Path, 6' Corridor |
|---------|----------------|----------------------|----------------------|
| C900U | 2 | 31' | 30' |
| C900U-E | 2 | 25' | 24' |

ORDERING GUIDE

Example: C900U-S-R-W-E

| Series | Mounting | Panel Color | Finish | Options (Factory Installed) |
|-------------------|-----------------------------|------------------------------------|---|--|
| C900U = Universal | R = Recessed S = Surface | G = Green Legend R = Red Legend | A = Brushed Alum. B2= Black W2= White | E3= Self-test/Self-diagnostics RC4= 3W Remote Capable |

Notes

- 1 - Supplied with single-face (clear) and double-face (mirrored) panel configurations.
- 2 - Consult factory for availability.
- 3 - E Option uses 1.5W LED lamp heads.
- 4 - Compatible with remote lamps.
- 5 - Not UL Listed item.
- 6 - Order as separate line item.

Accessories^{5,6} (Field Installed)
C900U-G-FP = Green Single Mirror Panel
C900U-R-FP = Red Single Mirror Panel
C900U-PA = Pendant Adapter

CONSTRUCTION

- **Housing** - Available in either a Brushed Aluminum, Black or White finish.
- **Surface** - Engineering grade aluminum extrusion with mounting canopy.
- **Recessed** - Steel housing supplied with galvanized steel adjustable hanger bar assembly.
- **Panels**- Constructed of clear high-grade acrylic. Stencil letters are 6" high with 3/4" stroke, with minimum of 100' viewing distance rating as required by UL 924 standard. Double-face panels are supplied with a mirror insert. Units are supplied with field-selectable directional chevrons for optimal flexibility in all applications.
- **ILLUMINATION**- High-output red or green LEDs provide superior brightness with energy consumption of less than 5W. Path of egress illumination is provided by (2) 2.5W (non-E models) white LED lamps. LEDs are a maintenance-free lighting solution.
- **ELECTRICAL Input**- Dual-voltage input 120 or 277VAC at 60Hz.
- **Nickel Metal Hydride Battery** – NiMH- NiMH batteries are maintenance-free. NiCad technology provides long-lasting, safe and reliable performance by utilizing the jelly roll design and allows a NiCad cell to deliver a much higher maximum current than an equivalent size alternative battery. As a relatively larger area of the electrode is in contact with the active material in each cell, the internal resistance for an equivalent sized NiCad cell is lower which increases the maximum current that can be delivered.
- **Emergency**- The C900U Series exit will operate for a minimum of 90 minutes during a loss of power with a 24-hour maximum recharge time for the battery.

- **Low Voltage Disconnect**- When the battery's terminal voltage falls below predetermined levels, the low voltage circuit disconnects the emergency lighting load. The disconnect remains in effect until normal power is restored, preventing deep battery discharge and improving the life of the battery. The disconnect will also automatically reconnect the load circuit once the battery voltage returns to a normal value after charging.

- **Test Button**- Test button is easy to locate and allows for manual verification of the transfer circuit and emergency lamps.

INSTALLATION

Surface Mounting: Supplied canopy provided for surface mounting. All hardware is included.

Recessed Mounting: Recessed ceiling mount, accessible above the plenum. Electronics and batteries are contained in the housing. Plug-in battery connector supplied for easy installation. All hardware is included.

OPTIONS

Self-test/Self-diagnostics (Option: E)

The E circuit continuously monitors the operating condition of the AC power, battery supply voltage and charging circuit. The purpose of this option is to provide visual signaling in response to a fault at the EXIT sign battery and/or battery charger. If a failure is detected, visual status will occur immediately via the dual color LED. Refer to the instruction manual for detailed information. The E circuit also monitors the transfer circuit as well as performing automatic code compliance testing.

Remote Capable (Option: RC)

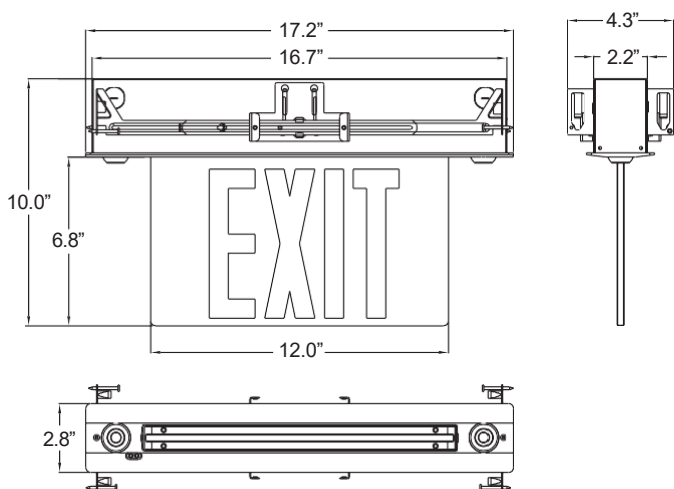
The C900U is remote capable and provides up to 3W of remote power for 90 minutes.

CONFORMANCE TO CODES & STANDARDS

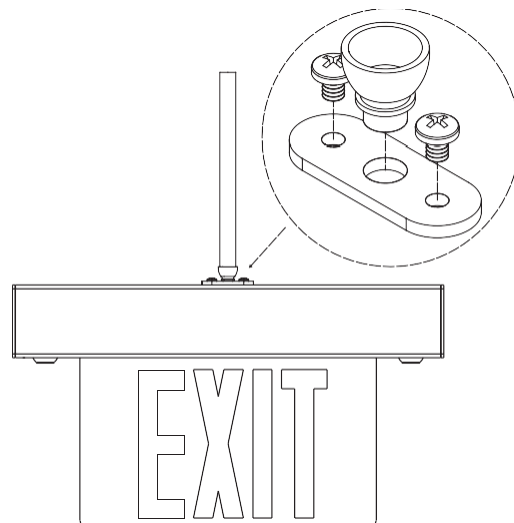
The C900U Series is Damp Location Rated, UL 924 Listed and meets or exceeds the following: NEC requirements, CEC and NFPA 101.

DIMENSIONS

Recessed Mount Dimensions



Pendant Adapter



Surface Mount Dimensions

