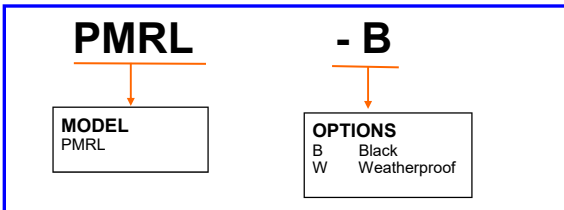


| | |
|---------------|--|
| Fixture Type: | |
| Model Number: | |
| Project: | |

PMRL Series Decorative LED Emergency Lighting

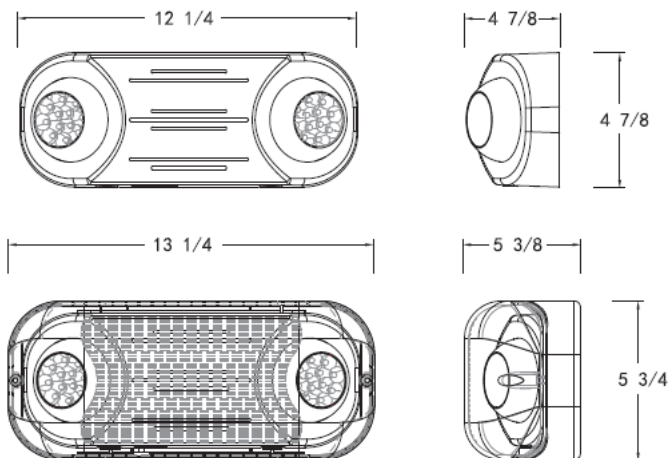


ORDERING GUIDE



The PMRL series model offers LED fully adjustable lamp heads, along with a contemporary design, quick installation and premium options, in a stylish and economical package.

DIMENSIONS



STANDARD FEATURES

- Injection-molded, engineering-grade, 5VA flame retardant, high-impact resistant, thermoplastic in white or black finish.
- Fully Adjustable LED lamp heads
- Universal 120/277 volt 60 Hz input
- Low battery voltage disconnect
- Charge / Ready LED indicator
- Test switch
- sealed nickel cadmium battery
- Minimum 90 minutes of emergency illumination.
- Universal J-box knockout pattern
- Surface mount via quick-connect back plate
- Optional wet location - provided with a water-

AGENCY APPROVALS

UL924 Listed, Meets NFPA 101 Life Safety Code, NEC, OSHA, Local and State Codes.

WARRANTY

Five year warranty on all electronics and housing. Battery is pro-rated for two years.