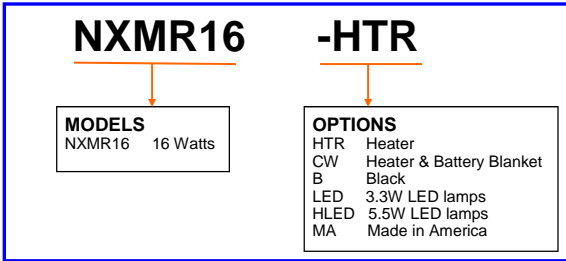


Fixture Type:	
Model Number:	
Project:	

NXMR Series Decorative Wet Location Emergency Lighting



ORDERING GUIDE



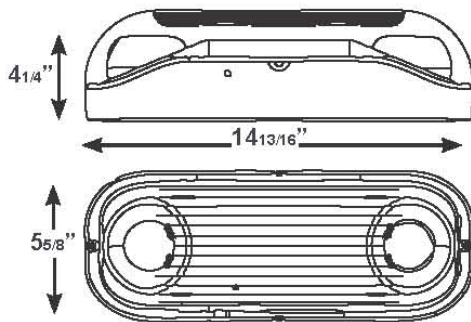
ILLUMINATION

- Long lasting, efficient, round fully adjustable lamp heads.
- Supplied with two ultra bright 7 watt Halogen MR16 lamps
- High-performance chrome-plated metalized reflector for optimal light distribution.
- Adjustable lamp heads provide optimal center-to-center spacing
- Semi recessed "eyeballs" for an aesthetically pleasing look
- Optional 3.3W 219 lumens, or 5.5W 346 lumens MR16 LED lamps are available

HOUSING

- Injection-molded, engineering-grade, 5VA flame retardant, high impact thermoplastic construction in light grey or black finish.
- Fully-gasketed clear polycarbonate cover offers protection against wet, non-hazardous dust, corrosive atmospheres and to water spray or splashing water locations.
- Knockouts on the back for wall mounting

DIMENSIONS



STANDARD FEATURES

- Universal 120/277 volt 60 Hz input
- Fully automatic solid-state, two-rate charger initiates battery charging to recharge a discharged battery in 24 hours.
- Internal solid-state transfer switch automatically connects the internal battery to lamp heads
- Low battery voltage disconnect
- AC lockout
- Brownout protection
- Charge / Ready LED indicator
- Test switch
- 6 volts sealed lead calcium battery
- Minimum 90 minutes of emergency illumination.
- Wall mount via knockouts on the back of the housing

OPTIONS

- HTR - Optional heater for cold temperature applications (-9°C to 40°C)
- CW - Heater and battery blanket for extreme cold applications (-25°C to 40°C)

AGENCY APPROVALS

Meets UL924, NFPA 101 Life Safety Code, NEC, OSHA, Local and State Codes.
UL listed for Wet Locations. (20°C to 40°C)

WARRANTY

Five year warranty on all electronics and housing.
Battery is pro-rated for two years.