

Fixture Type:	
Model Number:	
Project:	

## RT4X Industrial Remote Heads



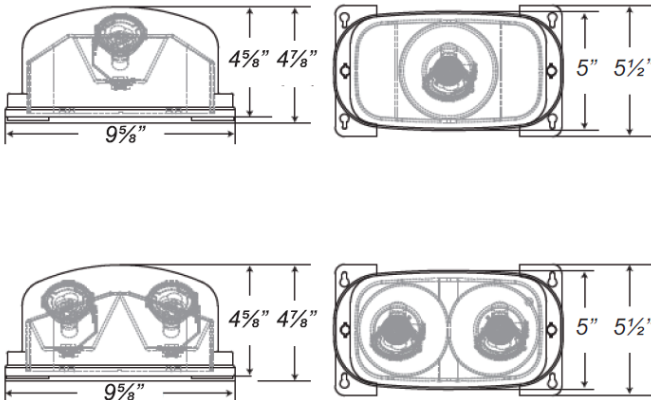
### FEATURES

- Fully adjustable, ultra bright 3.3 watt high performance MR-16 base LED lamp heads for optimized center-to-center spacing.
- Powered from low voltage 6V/12V DC power sources with low voltage wiring (not provided).\*
- Universal knockout pattern on back provided with gasket for watertight seal for back mount.
- Distance of maximum run is determined by system voltage, wire gauge, and total maximum wattage on the run.
- Suitable for wall or ceiling mount.
- Housing is reinforced polycarbonate construction in white or black finish.
- Corrosion-resistant enclosure with one piece, high-impact resistant, UV stabilized polycarbonate lens and molded gasket with stainless steel screws.
- Knockout's provided for conduit feed applications.
- TP: Tamper-proof hardware helps discourage unauthorized access to the unit. (Optional)

### ORDERING GUIDE

<b>RT4X</b>	<b>2</b>	<b>W</b>	<b>-TP</b>
<b>MODEL</b> RT4X	<b>HEADS</b> 1 Single 2 Double	<b>COLOR</b> W White B Black	<b>OPTIONS</b> TP Tamper proof

### DIMENSIONS



### WARRANTY / LISTINGS

- Five year warranty.
- UL listed with approved Carpenter Lighting Products.
- IP66 rated for Ingress protection.
- NEMA4X and NSF rated.
- Meets UL924, NFPA 101 Life Safety Code, NEC, OSHA, Local and State Codes.
- UL certified for use in food service operations.

\* May not be compatible with some self diagnostic products - Consult factory