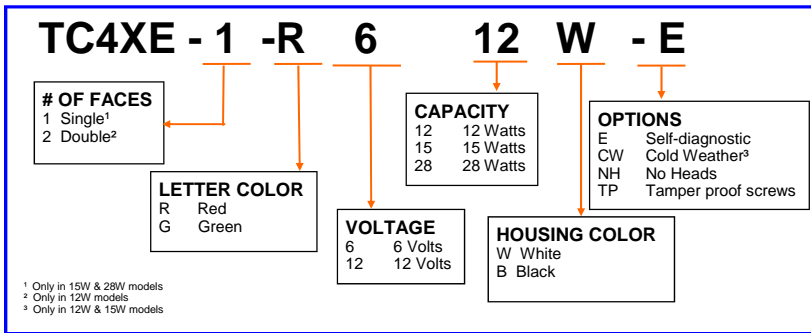


Fixture Type:	
Model Number:	
Project:	

T Series Combo Unit NEMA4X/NSF Rated

ORDERING GUIDE



STANDARD FEATURES

All Models

- Universal 120/277 volt 60 Hz field selectable input
- 5VA flame retardant, UV-stabilized polycarbonate in white or black finish.
- Corrosion-resistant enclosure with one piece, high impact resistant, UV stabilized polycarbonate lens and molded gasket with stainless steel screws.
- Knockouts provided for conduit feed applications.
- EZ snap-out Chevron directional indicators.
- Long Life LED provide bright and even Exit sign illumination.
- Two fully adjustable ultra bright 3.3 watt high performance MR-16 base LED lamp heads for optimized center to center spacing.
- UL listed for wet locations (0° to 50°C on 12W & 15W models, and 10° to 40°C on 28W models)
- UL certified for use in food service operation
- Premium nickel cadmium maintenance free battery for 12W and 15W models. 28W model uses sealed lead acid battery.
- 90 minutes of emergency illumination
- Fully automatic solid state two rate charger recharges battery within 24 hours
- Solid state relay supervision
- Bi-color LED indicator alerts occupant on battery condition; Green-normal, Red-check battery
- Charge rate/power "ON" LED indicator and momentary magnetic test switch.
- CW option includes internal heater and battery blanket - (-20°C to 50°C)
- Self diagnostics circuitry is available (Optional)

SPECIFICATIONS

Construction	Housing is reinforced polycarbonate construction in white or black finish
Installation	Polycarbonate canopy is supplied with all models for wall, end, or ceiling mount applications
Illumination	All models are illuminated with high intensity red or green LEDs and meet UL requirements for uniformity.
Electronics	Universal 120/277 volts 60hz input. AC lock out and low voltage disconnect.
Power Consumption	All models 18 watts maximum @ 120/277 volts
Battery	Sealed NiCad battery for 12W & 18W; Lead Acid for 28W models provide a minimum of 90 minutes duration.
Code Compliance	NEMA4X, IP66 and NSF rated. Meets UL924 and NFPA101 Life Safety Codes
Warranty	Five year warranty from date of shipment on housing and electronics. NiCad batteries pro rated for 5years / 2 years for Lead Acid.

DIMENSIONS

