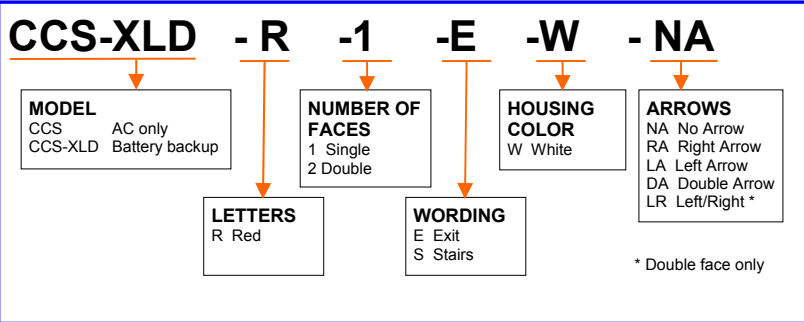


Fixture Type:	
Model Number:	
Project:	

## CCS Series Chicago Steel Exit Signs

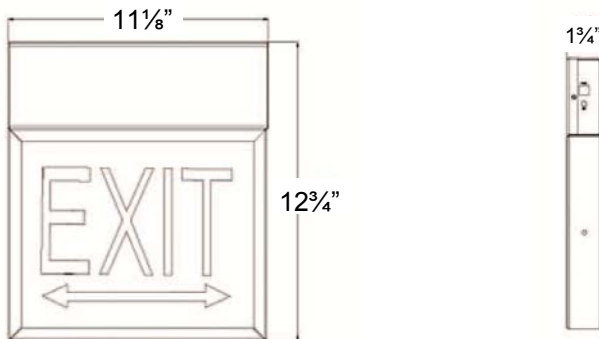
### ORDERING GUIDE



### DESCRIPTION

The CCS Series steel LED Exit Signs are approved for use within the City of Chicago. Designed for both new and retrofit installations, the CCS exit signs offer high power efficiency and uniform illumination which is ideal for stores, offices, hospitals and school corridors.

### DIMENSIONS



### STANDARD FEATURES

#### All Models

- Universal 120/277 volt 60 Hz field selectable input
- 20 GA Heavy duty steel construction
- Easy to install
- Long Life LED lamps provide bright and even illumination.
- Low power consumption
- Red silk-screened lettering on white phosphorescent glass
- Heat tempered, impact resistant glass lens
- White housing
- Universal back, ceiling or end mounting.
- Available in single or double face models
- UL924 Listed

#### Emergency Models

- Premium nickel cadmium maintenance free battery
- 90 minutes of emergency illumination
- Fully automatic solid state charger
- Recharge times as per UL guidelines
- Solid state relay supervision
- Low battery voltage disconnect
- AC lockout circuit reduces installation time
- Brownout protection.
- AC ready LED indicator
- Momentary test switch.
- Operating range 68°F to 86°F
- One year warranty