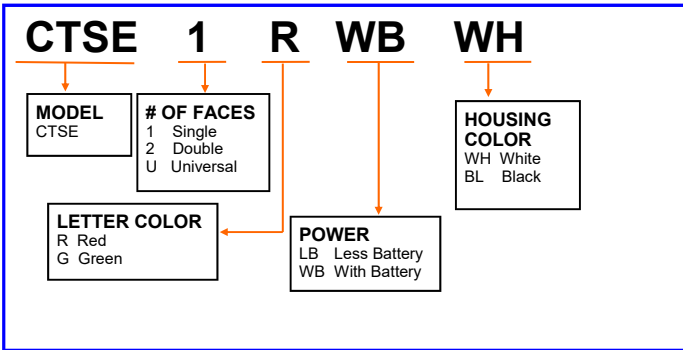


Fixture Type:	
Model Number:	
Project:	

## CTSE Series Steel Exit Signs State of CT Approved

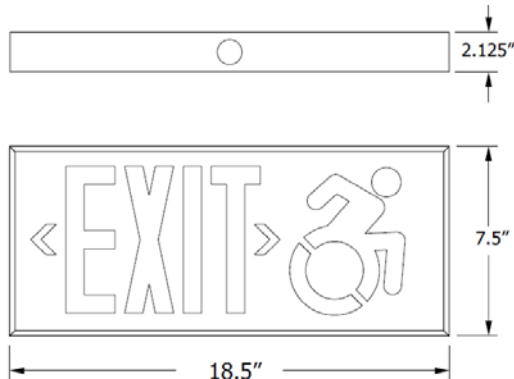
### ORDERING GUIDE



### SPECIFICATIONS

<b>Construction</b>	Heavy duty 20 gauge steel construction finished in a powder coat paint.
<b>Installation</b>	Installs easily with no special tools or hardware
<b>Illumination</b>	All models are illuminated with high intensity red or green LEDs and meet UL requirements for uniformity.
<b>Electronics</b>	Universal 120/277 volts 60hz input. Available with or without battery back up
<b>Battery</b>	Sealed NiCad battery - Provides a minimum of 90 minutes of emergency operation
<b>Code Compliance</b>	CSA Listed. Meets or exceeds the requirements of UL924 NEC and NFPA101
<b>Warranty</b>	Three year warranty on the entire unit from date of shipment.

### DIMENSIONS



### STANDARD FEATURES

#### All Models

- Meets State of Connecticut Emergency Building Code requirements (Para. 1011.1.2)
- Enclosure constructed of rugged 20 gauge steel
- Face includes "EXIT" wording with the ADA compliant, modified accessibility symbol
- Wording and symbol are 6" high with 3/4" stroke
- Exit face is illuminated by long-life, high intensity, red or green LEDs
- Chevron-style, universal arrow knockouts
- Universal Mounting - Ceiling, back or end mount
- 120/277V dual primary, 60Hz input
- Standard finishes: Black or white.
- Assembled in the USA

#### Emergency Models

- Charge rate/power "ON" LED indicator light with test button
- Maintenance-free NiCad battery
- Brown out circuitry
- Low voltage disconnect
- Solid state transfer
- Overload and short-circuit protection
- CSA listed 90 minute emergency run time, 24 hour recharge time