

Fixture Type:	
Model Number:	
Project:	

CBR-D-F-ATS Dimming Switch Bypass Module

Carpenter Emergency Lighting's CBR-D-F-ATS switch bypass control modules are designed to allow locally dimmed lighting fixtures to be used for emergency operation. The CBR-D-F-ATS bypass module must be used in conjunction with either a generator or an inverter system.

ORDERING INFORMATION

CBR-D-F-ATS

APPLICATION

The Model CBR-D-F-ATS is a single zone, silent emergency transfer control with universal dimming capability. It can be used with 2 and 3-wire line voltage dimming systems, as well as 0-10V, DALI, and Lutron EcoSystem

OPERATION

The CBR-D-F-ATS allows emergency lighting to be dimmed with regular lighting during normal times. In the event of a utility power interruption, the CBR-D-F-ATS will automatically transfer designated emergency fixtures from the dimming control to the emergency power source and bring them to full brightness, regardless of whether the dimming system is in operation or turned off.

Applications of the CBR-D-F-ATS include designated dimmable emergency luminaires in public places such as auditoriums, restaurants, conference rooms, theaters, and classrooms.

ENERGY CONSERVATION

By eliminating the need for night light circuits, the CBR-D-F-ATS bypass modules conserve energy by allowing all area ambient lighting to be turned off while still assuring the availability of emergency illumination in the event of a utility power failure.



AGENCY APPROVALS

UL94-5VA Flame rating
UL1008 listed

DIMENSIONS

4"W x 4"H x 2.3"D



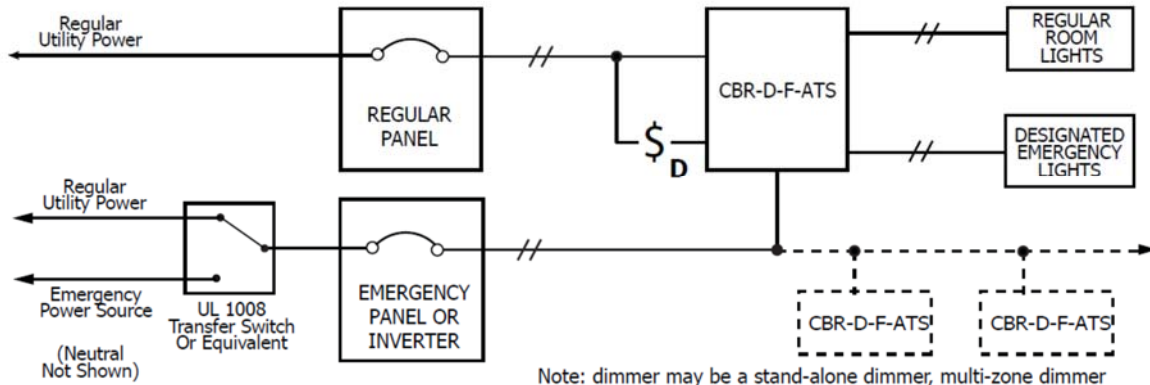
PRODUCT FEATURES

- Adapts locally switched lighting fixtures for emergency operation
- The CBR-D-F-ATS control bypasses local dimming during power failures and returns fixtures to full brightness
- Compatible with 2, 3 wire or 10 volt dimming systems
- Saves energy by eliminating night light circuits
- Voltage Surge Protection
- Includes field-selectable Automatic Testing & Fire Alarm Interface options
- Triple Interlock (electrical, mechanical, and time delay) maximizes safety and reliability of CBR-D-F-ATS, by eliminating arcing and the potential for phase to phase shorts between separate power sources during transfer.
- Oversized 50A rated relay contacts allow high in-rush loads to be used safely and reliably. Tested at over 5000 cycles.
- Operating temperature 32°F to 140°F
- Visual power readiness indicators provide status at a glance
- Built-in manual emergency circuit test feature
- Momentary test switch

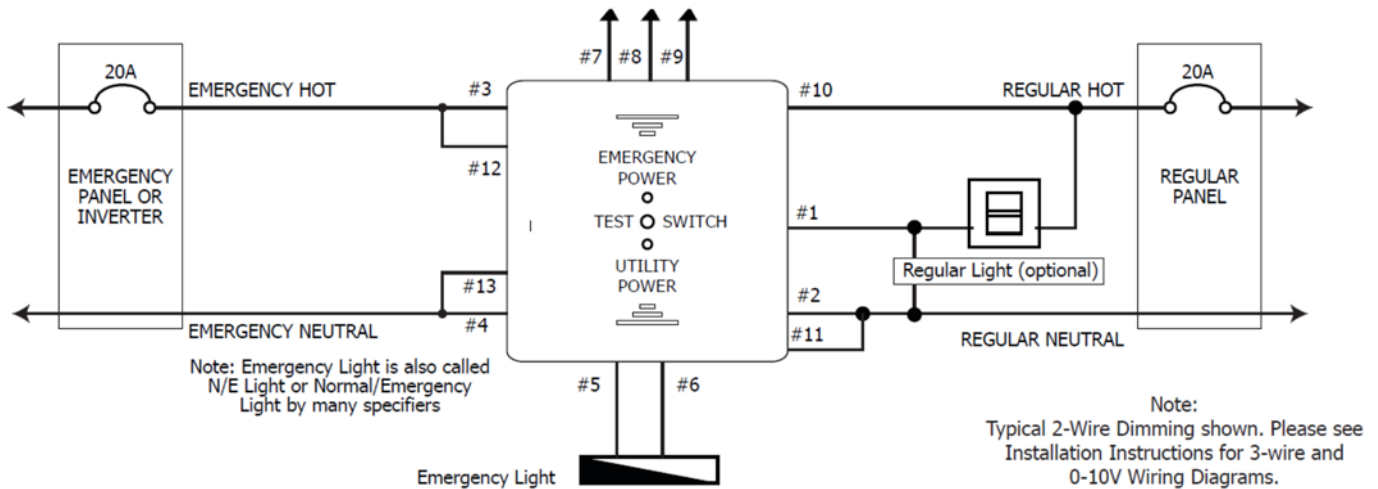
WARRANTY

5 Year replacement Warranty

SINGLE LINE DRAWING



WIRING DIAGRAM



SPECIFICATIONS

E L E C T R I C A L	MODEL NO.	CBR-D-F-ATS	M E C H A N I C A L	MOUNTING	4-11/16" Back-up Box, no plaster ring required
	SENSING INPUT	120V-277V		RATING	UL94V-0
	LOAD RATING	120V - 277V (16A)		SHIPPING WEIGHT/ COLOR	18 oz. / White
	BALLAST LOAD RATING	16A Magnetic/16A Electronic		TEMPERATURE	32°F - 140°F (0°C - 60°C)
	INCANDESCENT LOAD	1920W (120V) / 4432W (277V)		FLUSH MOUNTED SIZE	6" x 6" x 0.5"
	WARRANTY	5 Year Replacement Warranty		BODY SIZE	4" x 4" x 2.3"