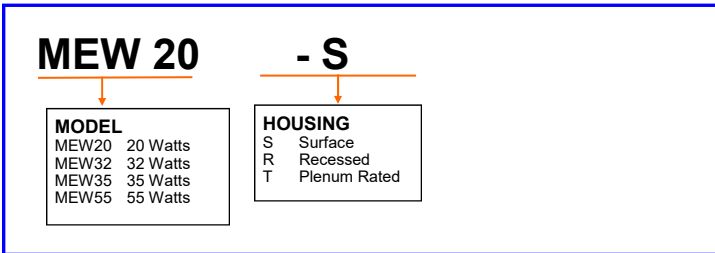


Fixture Type:	
Model Number:	
Project:	

MEW SERIES MICRO INVERTER SYSTEMS

ORDERING GUIDE



GENERAL:

The MEW Series is designed to provide 20W to 55W of emergency power to incandescent, fluorescent, and/or LED fixtures. The MEW unit provides clean, sinusoidal AC output power allowing it to be remotely mounted up to 1,000 feet away from the controlled fixture(s).

Unlike a ballast fluorescent emergency pack, the MEW provides power to the input side of the fixture, (including the ballast) eliminating any chance of incompatibility. MEW Series models are available for surface, recessed or ceiling T-Grid mounting if required. All MEW systems will provide emergency power output for a minimum of 90-minutes.

FEATURES

- Pure sine wave output - 60 Hz
- Soft start design
- Compatible with all lighting sources, except HID
- Operates loads of .44 leading to .44 lagging power factor
- Less than 1 second transfer time
- Emergency lights can be always on, on only during a power failure, or switched - All 3 modes are standard and field selectable
- High Inverter efficiency, up to 98%
- Choice of cabinet configuration
- Sealed long life valve regulated lead acid (VRLA) batteries
- 90 minute run time
- Operating temperature 68°F to 86°F (20°C to 30°C)
- Push button test switch
- Low voltage disconnect circuit
- LED indicators for AC On, Charger on and Inverter on
- Bright white finish is standard

SPECIFICATIONS:

INPUT:

- Voltage: 120 or 277 volts, 60Hz
- Input voltage variation: ±10%

OUTPUT:

- Up to 55 watts, 120 or 277 volts 60 Hz
- THD < 3%
- Output voltage regulation on emergency: ± 5%
- Minimum load requirement - 0%

OTHER:

- Battery over and under voltage protection
- Overload and short circuit protection
- Reverse polarity protection
- Over temperature protection.
- Battery run time: Minimum of 90 minutes
- Other run times are available on request
- Battery recharge time: per UL 924

AGENCY APPROVALS

Listed to UL924.

Meets or exceeds the requirements of the National Electrical Code and NFPA Life Safety Code 101.

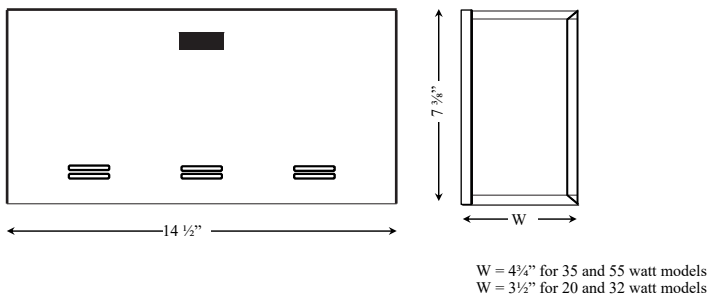
WARRANTY

3 year full warranty against component failure or manufacturing defects for the entire system, and an additional 7 year pro-rata warranty on the batteries.

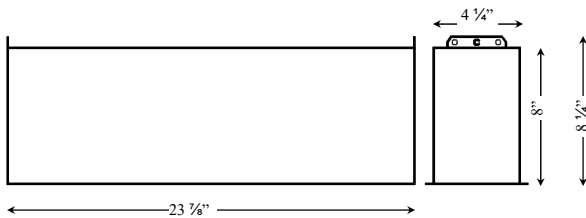
HOUSING

- Heavy duty steel cabinet is finished in white baked-on powder paint providing scratch and corrosion resistance.
- Bright white finish
- Special colors available (consult factory)

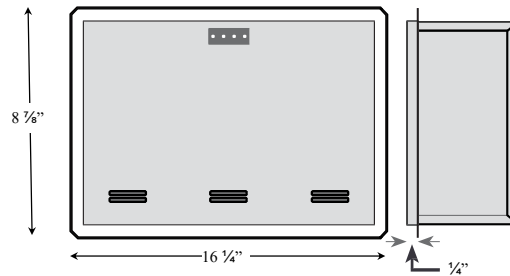
Surface Mount



Plenum Mount



Recessed Mount



GENERAL SPECIFICATIONS

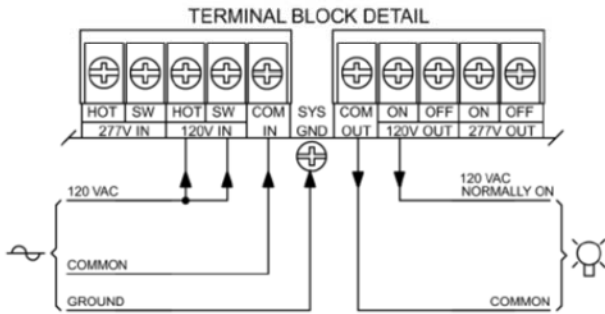
MODEL NUMBER	90min. CAPACITY (Watts/VA)	SYSTEM WEIGHT*		BATTERY TYPE	TEMP. RANGE (°C)	POWER CONSUM. (Max.)	BATTERY VOLTAGE (VDC)	DC INPUT CURRENT (ADC)	INPUT CURRENT		THERMAL OUTPUT in BTUs	
		Lbs.	Kg.						120VAC (max)	277VAC (max)	STANDBY	EMERGENCY
MEW-32	32/32	14.0	6.4	Lead-Calc	20-30°	9W	12	3.4	0.34A	0.15A	7	32
MEW-55	55/55	18.0	8.2	Lead-Calc	20-30°	9W	12	5.7	0.54A	0.23A	7	47
MEW-20	20/20	11.0	5.0	NiCad	0-50°	9W	12	2.1	0.25A	0.11A	31	22
MEW-35	35/35	12.0	5.4	NiCad	0-50°	9W	12	3.8	0.37A	0.16A	31	35

* System weights shown include installed batteries

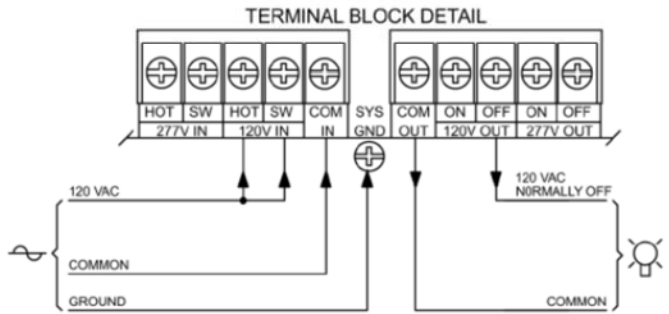
WIRING DIAGRAMS

120VAC Connections

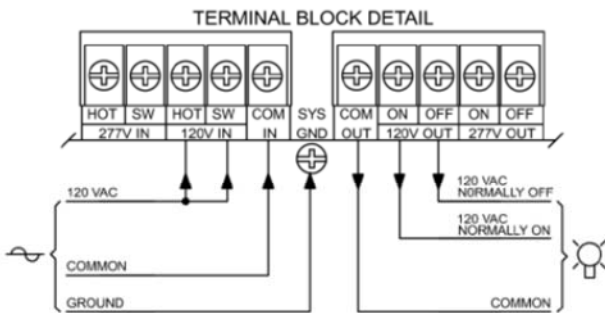
NORMALLY ON LOADS



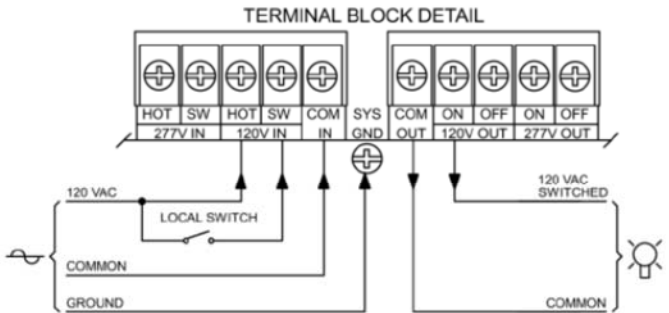
NORMALLY OFF LOADS



NORMALLY ON & OFF LOADS

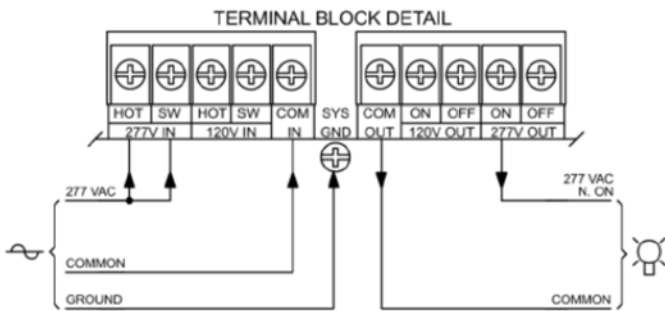


SWITCHED LOADS

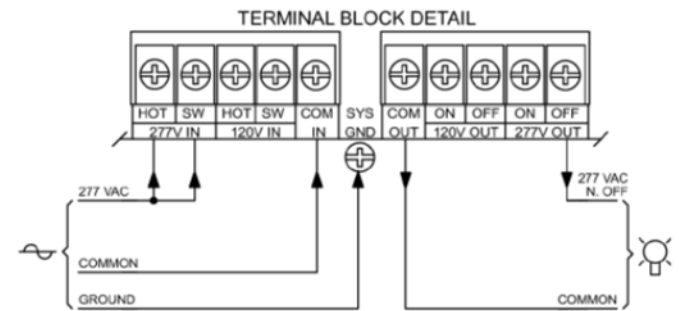


277VAC Connections

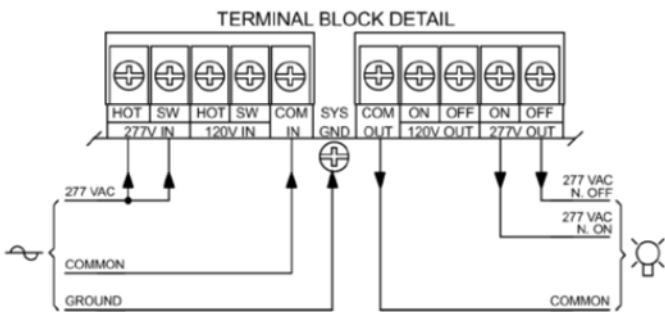
NORMALLY ON LOADS



NORMALLY OFF LOADS



NORMALLY ON & OFF LOADS



SWITCHED LOADS

