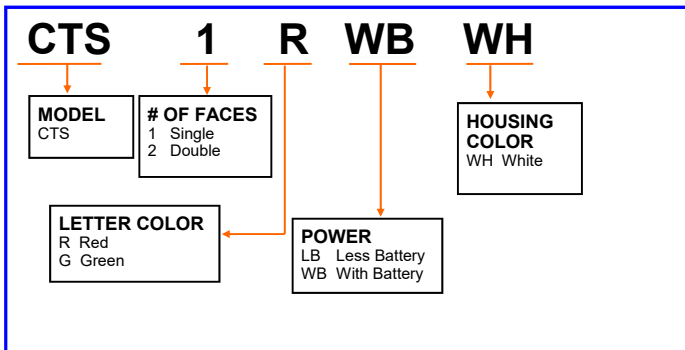


Fixture Type:	
Model Number:	
Project:	

CTS Series Steel Exit Signs State of CT Approved

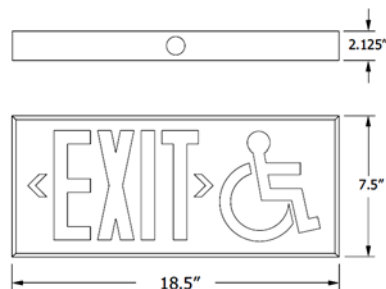
ORDERING GUIDE



SPECIFICATIONS

Construction	Heavy duty 20 gauge steel construction finished in a powder coat paint.
Installation	Installs easily with no special tools or hardware
Illumination	All models are illuminated with high intensity red or green LEDs and meet UL requirements for uniformity.
Electronics	Universal 120/277 volts 60hz input. Available with or without battery back up
Battery	Sealed NiCad battery - Provides a minimum of 90 minutes of emergency operation
Code Compliance	ETL Listed to UL924. Meets or exceeds the requirements of the National Code and NFPA101
Warranty	Three year warranty on the entire unit from date of shipment.

DIMENSIONS



STANDARD FEATURES

All Models

- Meets State of Connecticut Emergency Building Code requirements (Para. 1011.1.2)
- Enclosure constructed of rugged 20 gauge steel
- Face includes "EXIT" wording with the ADA compliant, universal wheelchair accessible symbol
- Wording and symbol are 6" high with 3/4" stroke
- Exit face is illuminated by long-life, high intensity, red or green LEDs
- Chevron-style, universal arrow knockouts
- Universal Mounting - Ceiling, back or end mount
- 120/277V dual primary, 60Hz input
- Standard finishes: Black or white.

Emergency Models

- Charge rate/power "ON" LED indicator light with test button
- Maintenance-free NiCad battery
- Brown out circuitry
- Low voltage disconnect
- Solid state transfer
- Overload and short-circuit protection
- ETL listed 90 minute emergency run time, 24 hour recharge time