

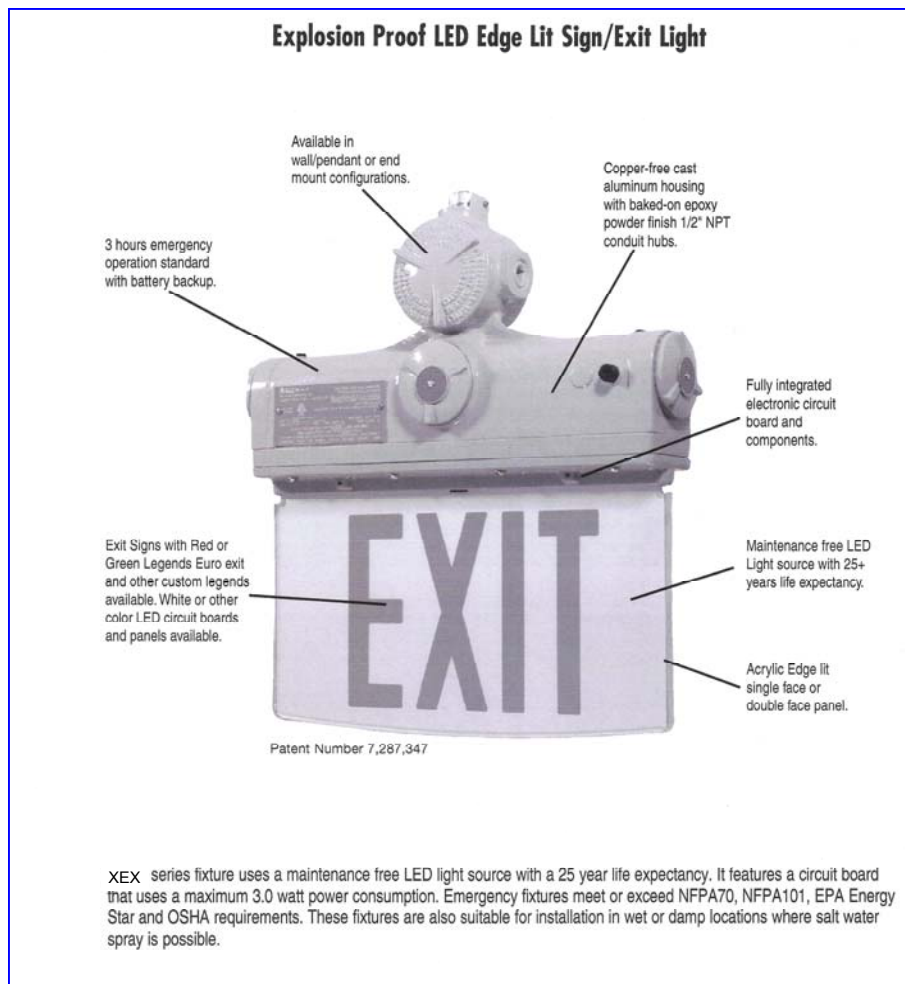
Fixture Type:	
Model Number:	
Project:	

## XEX SERIES EXPLOSION PROOF EXIT

Series XEX explosion proof exit lighting is designed for use in hazardous locations, Class I, Div.1, Groups C & D, Class II, Div.1, Groups E, F & G. All housings are manufactured from heavy cast aluminum and all lenses are made from durable acrylic.

### RATINGS

- Class I, Division 1, Groups C & D
- Class II, Division 1, Groups E, F & G
- Class III
- Class I, Zone 1, Groups IIA, IIB,
- Zone 2, Groups IIA, IIB + H2 & IIC
- UL 844, 8750 & UL924
- UL 1598A Marine Outside Type
- Temperature Class (T-Rating)-T6
- IP65



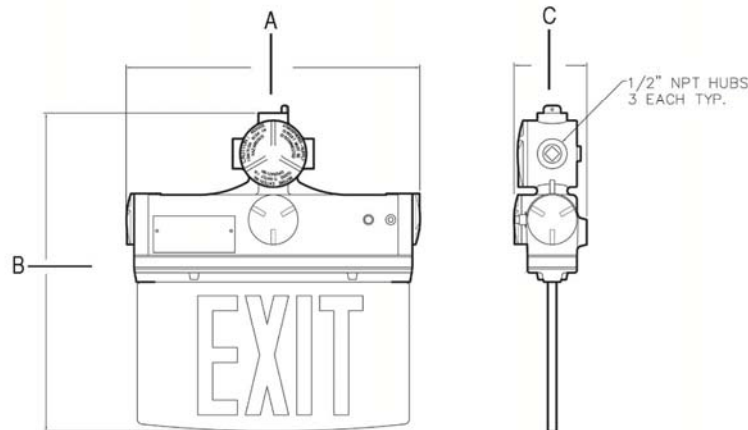
Fixture Type:	
Model Number:	
Project:	

## XEX SERIES EXPLOSION PROOF EXIT

### ORDERING INFORMATION

MODEL	OPERATION	LENS COLOR	# OF FACES	MOUNTING	OPTIONS
XEX	AC = AC Only SP = Battery Back up	R = Red G = Green	1 = Single 2 = Double	WP = Wall pendant EB = End Bracket	EU = Green Running Man SD = Self Diagnostics

### XEX Series Fixture Dimensions (inches)



XEX Series	Dimensions (inches)			Boxed Weight	Shipping Volume (Boxed Fixtures)
	A	B	C		
XEX LED Exit Sign	14.88	16.00	3.69	14 lbs.	1.24 cu. ft.