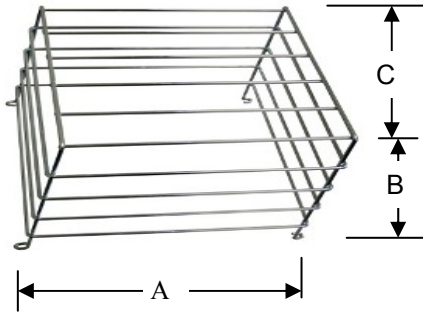


Fixture Type:	
Model Number:	
Project:	



MODEL NUMBER	DIMENSIONS		
	A	B	C
WG-1	12	14½	27½
WG-2	18	10	15
WG-3	15	6	18
WG-4	23	12	21
WG-5	21	12	32
WG-6	16	14	16
WG-7	26	14	16
WG-8	16	9	16
WG-9	8	8	8
WG-10	8	8	16
WG-11	13¾	4¾	13¾
WG-12	4	16¾	13¾
WG-13	15	6	21
WG-14	14	8	27½

UNIT EQUIPMENT	
AC	WG-11
ACL	WG-11
ACM	WG-3
AWE	WG-9
BK	WG-10
BL	WG-10
CCB	WG-2
CEM-MR	WG-10
CEW UNIT	WG-10
CH	WG-11
CL	WG-11
CNX	WG-8
CR METAL	WG-11
CR PLATIC	WG-10
CR MR16	WG-10
CSE80	WG-10
CX	WG-8
D	WG-3
DC	WG-7
DNX	WG-2
E	WG-7
EW	WG-7
EX	WG-7
GTB	N/A
GTL	N/A
MU	WG-10
NX-MR	WG-10
PBU	WG-3
PNX	WG-8
RGR8	N/A

MODEL	MOUNTING		
	Wall	Ceiling	End
EXITS			
CEDG	WG-3	N/A	N/A
CEW6D	WG-3	WG-12	WG-12
CEW6P	WG-11	WG-12	WG-12
CEW6S	WG-11	WG-12	WG-12
CEW8D	WG-13	N/A	N/A
CEW8S	WG-13	N/A	N/A
DX	WG-11	WG-12	WG-12
DX8	WG-13	N/A	N/A
FX	WG-3	WG-12	WG-12
FX8	WG-3	N/A	N/A
MX	WG-3	N/A	N/A
NXLED	WG-2	N/A	N/A
RX	N/A	WG-12	WG-12
RX8	N/A	N/A	N/A
X	WG-11	WG-12	WG-12
COMBINATION EXITS			
ATC	WG-14	N/A	N/A
ATC8	N/A	N/A	N/A
CCW	WG-8	N/A	N/A
CCX	WG-14	N/A	N/A
CCXTE	WG-14	N/A	N/A
ELNY	WG-14	N/A	N/A
MCX	WG-3	N/A	N/A
NXLED-2H	WG-14	N/A	N/A