

Fixture Type:	
Model Number:	
Project:	

WXLED Series Wet Location Exit Sign

ORDERING GUIDE

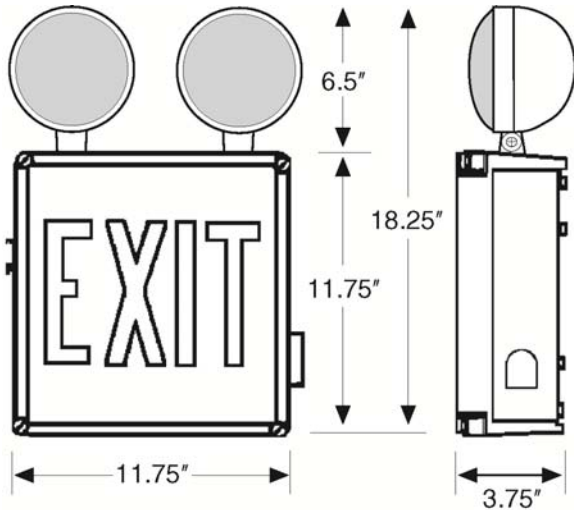
WXLED	SP	1	R	2H
OPERATION AC AC only SP Battery Back up	# OF FACES 1 Single	FACE COLOR R Red on White G Green on White	OPTIONS 2H 2 Heads HTR Heater	



HOUSING

- 5VA flame retardant, UV-stabilized polycarbonate gray finish.
- High-impact resistant, UV-stabilized polycarbonate clear lens.
- Corrosion-resistant enclosure with engineering grade silicone gasket.
- Top and side K/O's provided for conduit feed applications.
- EZ snap-out Chevron directional indicators.

DIMENSIONS



STANDARD FEATURES

- Designed for non-hazardous applications
- Ideal for parking garages, car washes and outdoor areas
- Available in AC models or with battery back up
- Universal 120/277volt input
- The solid state charging technology is current limited, and is provided with
- Low voltage disconnect,
- AC lockout and brownout protection
- Overload and short circuit protection.
- Test switch and charge indicator
- Long life sealed NiCad battery
- Minimum of 90 minutes of emergency time
- Optional two 5.4 watt fully adjustable, glare free lamps

AGENCY APPROVALS

- Listed to UL924
- UL listed for wet locations. (10°C – 40°C)
- Meets NFPA 101 Life Safety Code, NEC, OSHA, Local and State Codes.

WARRANTY

- Five year warranty on all electronics and housing.
- Battery pro-rated for five years.