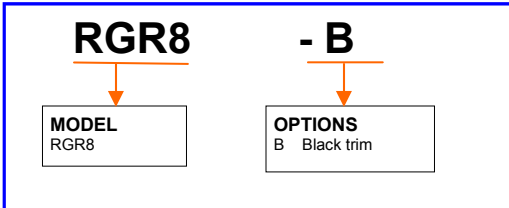


Fixture Type:	
Model Number:	
Project:	

## RGR Series Recessed Gimbal Emergency Lighting



### ORDERING GUIDE



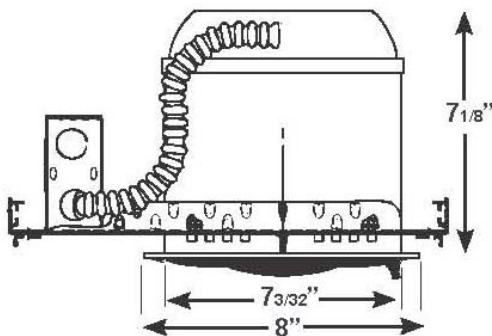
### ILLUMINATION

- Adjustable ultra bright 8 watt bi-pin halogen lamp
- Sealed beam PAR36-type gimbal trim with smooth chrome-plated metallized reflector and plastic lens offers optimal light distribution.

### HOUSING

- Steel mounting frame and housing.
- 6" recessed housing with mounting bar hangers
- Impact-resistant thermoplastic adjustable gimbal trim.
- Trim securely attached to housing with spring clips.

### DIMENSIONS



### STANDARD FEATURES

- Universal 120/277 volt 60 Hz input
- Fully automatic solid-state, two-rate charger initiates battery charging to recharge a discharged battery in 24 hours.
- Internal solid-state transfer switch automatically connects the internal battery to lamp heads
- Low battery voltage disconnect
- AC lockout
- Brownout protection
- Charge / Ready LED indicator
- Test switch
- 6 volts sealed lead calcium battery
- Minimum 90 minutes of emergency illumination.
- Compatible with dry wall or drop ceiling installations
- Bar hangers included

### AGENCY APPROVALS

Meets UL924, NFPA 101 Life Safety Code, NEC, OSHA, Local and State Codes.  
UL listed for damp locations. (20°C – 50°C)

### WARRANTY

Five year warranty on all electronics and housing.  
Battery is pro-rated for two years.