

Fixture Type:	
Model Number:	
Project:	

## RFLED Series LED Indoor and Outdoor Remote Fixtures

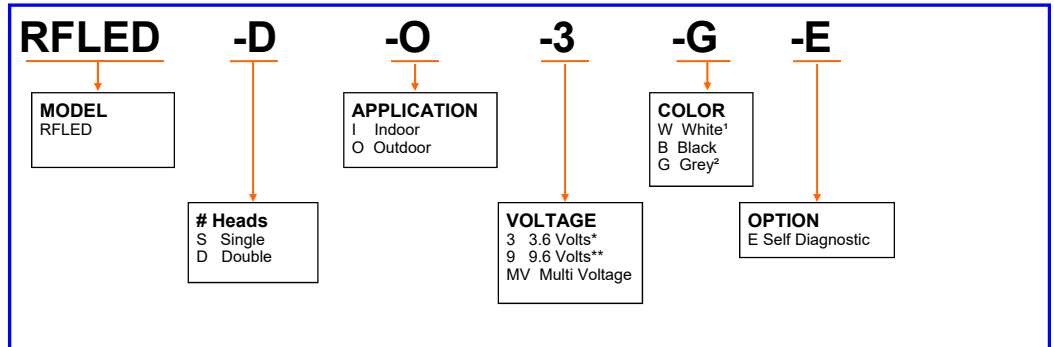
### INDOOR FIXTURES



### FEATURES

- Long lasting, efficient ultra-bright white LED lamp heads.
- High-performance chrome-plated metalized reflector and plastic lens (indoor applications) or glass lens (outdoor applications) for optimal light distribution.
- Adjustable LED lamp heads increases center-to-center spacing with 8 LEDs in each head.
- Total power consumption of 1 watt per head.
- Indoor application remote heads are injection-molded, engineering-grade, 5VA flame retardant, high-impact resistant, thermoplastic in white or black finish.
- Outdoor application remote heads are sealed and gasketed in gray or black. Cast aluminum heads are available as a special order
- Distance of maximum run is determined by system voltage, wire gauge and total maximum wattage on the run.
- Suitable for wall or ceiling mount
- Powered from low voltage power source with low voltage wiring (not supplied)

### ORDERING GUIDE



### OUTDOOR FIXTURES



### NOTES

- RFLED series can only be used with compatible Carpenter LED products
  - Self diagnostic option (E) can only be used, and must be included, when battery unit has Self diagnostics.
  - Multi Voltage can be used with any voltage source from 3.6 to 12 volts DC
- \* To be used only with CLEL units  
 \*\* To be used with CCXLE units only  
<sup>1</sup> Indoor fixtures only  
<sup>2</sup> Outdoor fixtures only

### WARRANTY

Three year warranty on electronics and housing.

- UL listed with approved Carpenter Emergency Lighting Products
- Meets UL924, NFPA 101 Life Safety Code, NEC, OSHA, Local and State Codes.