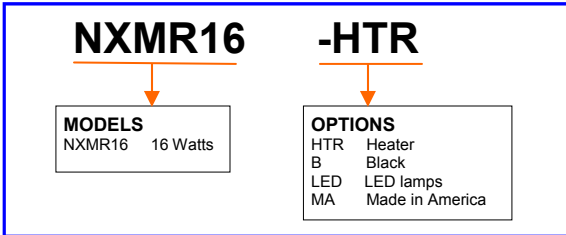


Fixture Type:	
Model Number:	
Project:	

NXMR Series Decorative Wet Location Emergency Lighting



ORDERING GUIDE



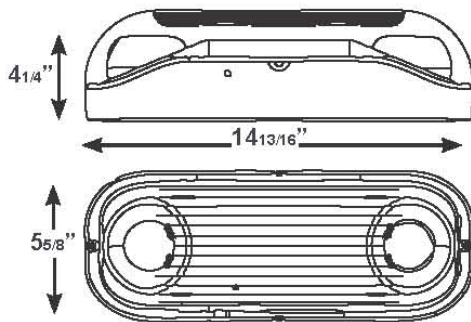
ILLUMINATION

- Long lasting, efficient, round fully adjustable lamp heads.
- Supplied with two ultra bright 7 watt Halogen MR16 lamps
- High-performance chrome-plated metalized reflector for optimal light distribution.
- Adjustable lamp heads provide optimal center-to-center spacing
- Semi recessed “eyeballs” for an aesthetically pleasing look
- Optional 3 watt LED lamps

HOUSING

- Injection-molded, engineering-grade, 5VA flame retardant, high impact thermoplastic construction in light grey or black finish.
- Fully-gasketed clear polycarbonate cover offers protection against wet, non-hazardous dust, corrosive atmospheres and to water spray or splashing water locations.
- Knockouts on the back for wall mounting

DIMENSIONS



STANDARD FEATURES

- Universal 120/277 volt 60 Hz input
- Fully automatic solid-state, two-rate charger initiates battery charging to recharge a discharged battery in 24 hours.
- Internal solid-state transfer switch automatically connects the internal battery to lamp heads
- Low battery voltage disconnect
- AC lockout
- Brownout protection
- Charge / Ready LED indicator
- Test switch
- 6 volts sealed lead calcium battery
- Minimum 90 minutes of emergency illumination.
- Wall mount via knockouts on the back of the housing

AGENCY APPROVALS

Meets UL924, NFPA 101 Life Safety Code, NEC, OSHA, Local and State Codes.
 UL listed for Wet Locations. (20°C – 40°C)

WARRANTY

Five year warranty on all electronics and housing.
 Battery is pro-rated for two years.