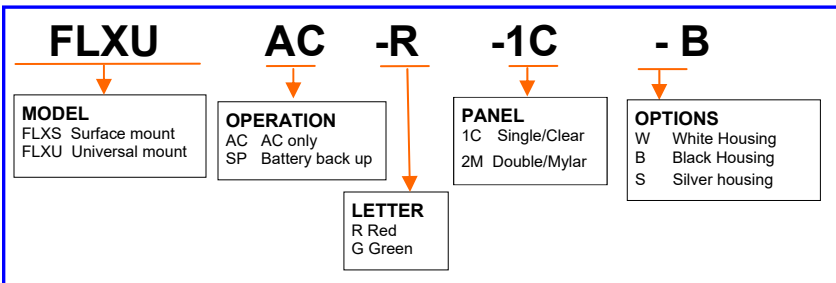


Fixture Type:	
Model Number:	
Project:	

FLX Series Swing Edge Lit Exit Signs

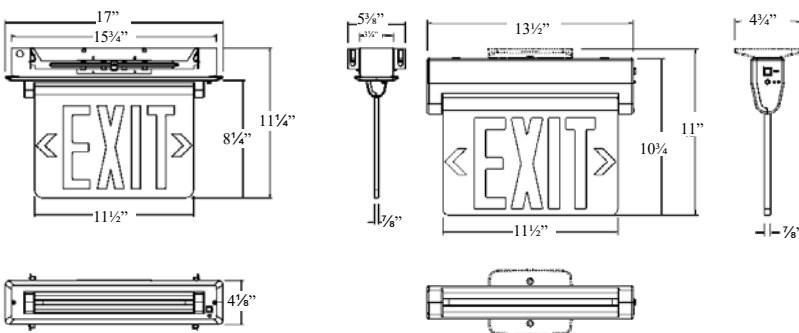
ORDERING GUIDE



SPECIFICATIONS

Construction	Injection molded, high impact, UV stabilized, UL924V-O Thermoplastic construction
Installation	Pivoting design for installation on wall, ceiling, sloped ceiling or recessed mounting.
Illumination	All models are illuminated with high intensity red or green LEDs and meet UL requirements for uniformity.
Electronics	Universal 120/277 volts 60hz input. AC lock out and low voltage disconnect.
Power Consumption	All models - Less than 5 watts
Battery	Sealed NiCad battery - Provides a minimum of 90 minutes of emergency operation
Code Compliance	Listed to UL924. Meets or exceeds the requirements of the National Code and NFPA101
Warranty	One year warranty from date of shipment on entire unit. 7 year pro rata warranty on the batteries. See Warranty Statement for details.

DIMENSIONS



STANDARD FEATURES All Models

- Universal 120/277 volt 60 Hz field selectable input
- White, injection molded, high impact, UV stabilized, UL924V-O thermoplastic construction
- Universal models can be surface or recessed mounted
- Easy to install construction
- Low profile housing
- Long Life LED lamps provide bright and even illumination.
- Low power consumption
- Red or Green Exit letters
- Available in optional Silver or Black housing
- Stick on, chevron type, directional arrows.
- Pivoting design for Wall, ceiling or end mounting.
- Single or double face models

Emergency Models

- Premium nickel cadmium maintenance free battery
- 90 minutes of emergency illumination
- Fully automatic solid state charger
- Recharge times as per UL guidelines
- Solid state relay supervision
- Low battery voltage disconnect
- AC lockout circuit reduces installation time