

Fixture Type:	
Model Number:	
Project:	

EWL SERIES SINE WAVE INVERTER SYSTEMS



ORDERING GUIDE

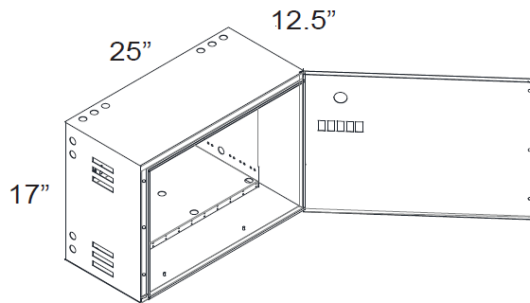
EWL 500	-277/277	- 1CB
<p>MODEL</p> <p>EWL500 Watts</p>	<p>INPUT/OUTPUT</p> <p>120/120 277/277</p>	<p>OUTPUT CIRCUIT BREAKERS</p> <p>1 is supplied standard Up to 6 available</p>

GENERAL

The EWL inverter system is a stand alone products designed to provide 120, or 277 volts 60 Hz line voltage to lighting and other critical loads in the event of a power failure or brownout situation.

The sine wave output makes the EWL Series an ideal candidate for most of today's non linear light sources including incandescent, fluorescent, LED and Induction lamps.

Intelligent LED indicators provide system critical information at all times to insure proper operation.



AGENCY APPROVALS

UL924 Listed and labeled

Meets or exceeds the requirements of the National Electrical Code and NFPA Life Safety Code 101.

WARRANTY

Three year full warranty on electronic component failure or manufacturing defects, and a 6 year pro-rata warranty on the batteries.

SPECIFICATIONS

INPUT:

- Voltage: 120 or 277 volts 60 Hz AC standard
- Input voltage variation: $\pm 10\%$

OUTPUT:

- Pure Sine Wave 500 watts , 120 or 277 volts 60 Hz
- Other voltages and frequencies available
- THD < 5%
- Output voltage regulation on emergency: $\pm 5\%$
- Minimum load requirement - 0%

OTHER:

- Sealed lead calcium maintenance free batteries
- Battery over and under voltage protection
- Self-resetting overload protection 20A High Inrush Magnetic Breaker
- EMI compliance with FCC Class A regulation
- Low voltage disconnect
- Reverse polarity protection
- Over temperature protection.
- Over temperature shut down
- Audible alert supervises input power, to ensure EWL 850 is never left uncharged.
- Visible LED indicators supervise input, output, and charging circuits.
- Battery run time: Minimum of 90 minutes
- Other run times are available on request
- Battery recharge time: per UL 924
- Ready to ship inventory