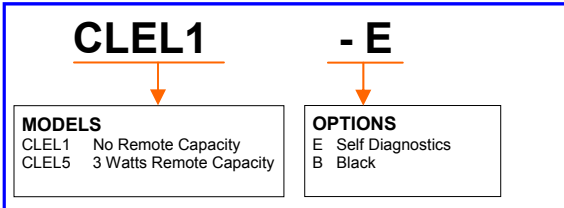


Fixture Type:	
Model Number:	
Project:	

## CLEL Series LED Emergency Lighting



### ORDERING GUIDE



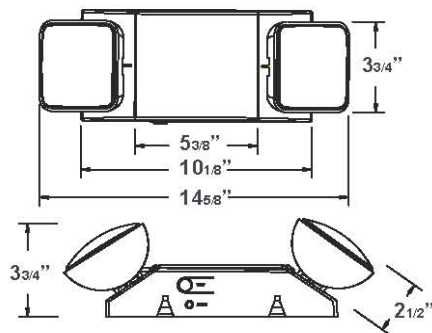
### ILLUMINATION

- Long lasting, efficient ultra-bright white LED lamp heads.
- 1 watt per head.(8 LEDs x 0.125 watt)
- High-performance chrome-plated metalized reflector and plastic lens for optimal light distribution.
- Adjustable LED lamp heads provide optimal center-to-center spacing
- Matching RFLED remote heads available for CLEL5 models

### SELF-TEST / DIAGNOSTIC (Optional)

Continuously monitors the critical functions of the equipment, including: battery disconnect, battery failure, charger failure, transformer failure and lamp failure. Self-Testing routine performs a one minute test every 30 days, a 30 minute test on the 6th month, and a 90 minute test annually

### DIMENSIONS



### STANDARD FEATURES

- Injection-molded, engineering-grade, 5VA flame retardant, high-impact resistant, thermoplastic in white or black finish.
- Universal 120/277 volt 60 Hz input
- Fully automatic solid-state, two-rate charger initiates battery charging to recharge a discharged battery in 24 hours.
- Internal solid-state transfer switch automatically connects the internal battery to LED lamp heads
- Low battery voltage disconnect
- AC lockout
- Brownout protection
- Charge / Ready LED indicator
- Test switch
- 3.6 volts sealed NiCad battery
- Minimum 90 minutes of emergency illumination.
- Surface mount via quick-connect back plate
- Fits most standard size junction boxes and snaps into place to make internal electrical connections.
- Top knockout for conduit applications
- Suitable for wall or ceiling mount.

### AGENCY APPROVALS

Meets UL924, NFPA 101 Life Safety Code, NEC, OSHA, Local and State Codes.  
UL listed for damp locations. (0°C – 50°C)

### WARRANTY

Five year warranty on all electronics and housing. Battery is pro-rated for five years.