

Fixture Type:	
Model Number:	
Project:	

CBR-PM Plenum Mount Switch Bypass Module

Carpenter Emergency Lighting's CBR-PM switch bypass control modules are designed to allow locally switched lighting fixtures to be used for emergency operation. The CBR-PM bypass module must be used in conjunction with either a generator or an inverter system.

ORDERING INFORMATION

CBR- PM1 (120 volts)
 CBR-PM2 (277 volts)

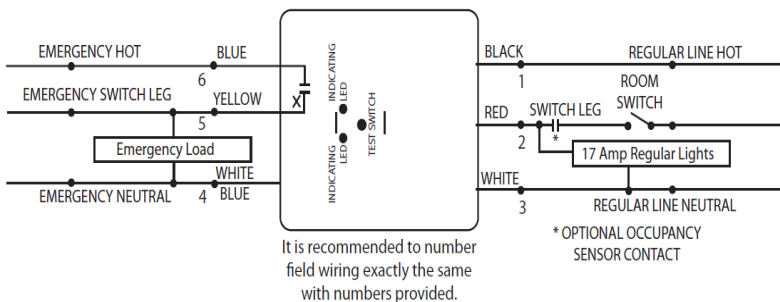


Application	CBR-PM switch bypass modules are designed to allow locally switched lighting fixtures to be wired for emergency operation from either generator, inverter system, or secondary sources.
Operation	During normal operation, LEDs on the CBR-PM module's faceplate indicate the presence of both utility (green), and emergency (red) power; and, the local switch will be capable of turning all circuit lighting fixtures on or off as required. During a utility power failure, emergency lighting fixtures controlled by the CBR-PM module will illuminate regardless of the position of the local switch.
Energy Conservation	By eliminating the need for night light circuits, the CBR-PM bypass modules conserve energy by allowing all area ambient lighting to be turned off while still assuring the availability of emergency illumination in the event of a utility power failure.

PRODUCT FEATURES

- Adapts locally switched lighting fixtures for emergency operation
- The CBR-PM control bypasses local switch during power failures
- Compatible with motion detector and photocells
- Saves energy by eliminating night light circuits
- Approved for plenum mounting applications
- 20 amp ballast load rating
- Fast, easy installation in standard electrical boxes
- 120 or 277 volts application
- Surge and short circuit protection
- Operating temperature 32°F to 140°F
- Visual power readiness indicators provide status at a glance
- Built-in manual emergency circuit test feature
- Momentary test switch

MODEL CBR-PM WIRING DIAGRAM



AGENCY APPROVALS

Meets NFPA Life Safety Code 101, NEC and OSHA UL94-5VA Flame rating
 UL924 listed

DIMENSIONS

3"W x 3 1/2"H x 1 1/2"D

WARRANTY

5 Year replacement Warranty