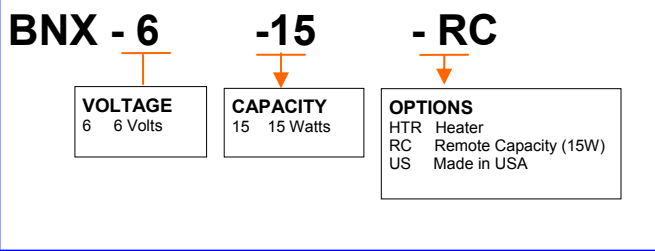


Fixture Type:	
Model Number:	
Project:	

## BNX Series Wet Location Emergency Lighting

### ORDERING GUIDE



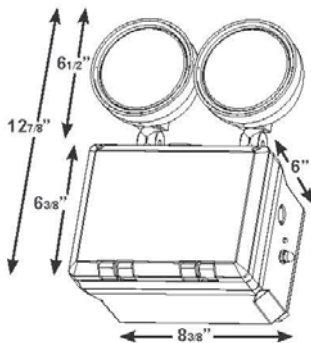
### ILLUMINATION

- Sealed and gasketed weather proof lamp heads with tempered glass lenses.
- 7.2W incandescent wedge base lamps.
- Long lasting, efficient HIT lamp heads.
- High-performance chrome-plated metalized reflector for optimal light distribution.
- Adjustable lamp heads provide optimal center-to-center spacing
- Matching remote heads

### AGENCY APPROVALS

- Meets UL924, NFPA 101 Life Safety Code, NEC, OSHA, Local and State Codes.
- UL listed for wet locations. (5°C – 40°C)

### DIMENSIONS



### STANDARD FEATURES

- Corrosion-resistant 5VA flame retardant, UV-stabilized polycarbonate in gray finish.
- Sealed and gasketed housing with hinged cover.
- Sealed test switch.
- Integral breather vent.
- External mounting brackets for simplified wall mounting provided.
- Designed for non-hazardous applications
- Ideal for parking garages, car washes and outdoor areas
- Universal 120/277volt input
- The solid state charging technology is current limited, and is provided with
- Low voltage disconnect,
- AC lockout and brownout protection
- Overload and short circuit protection.
- Test switch and charge indicator
- Premium, maintenance-free, valve regulated sealed lead calcium battery
- Minimum of 90 minutes of emergency time

### WARRANTY

Five year warranty on all electronics and housing. Batteries are pro-rated warranted for two years.