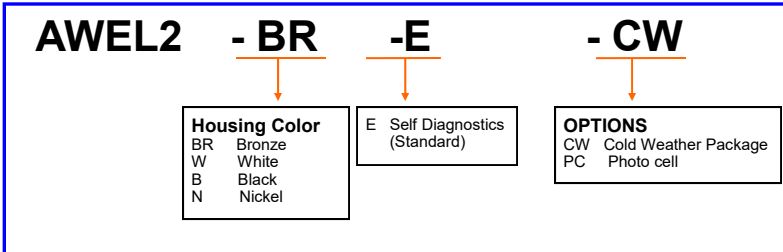


Fixture Type:	
Model Number:	
Project:	

AWEL2 Wet Location Architectural Emergency Lighting



ORDERING GUIDE



DESCRIPTION

The versatile WEATHER-EYE 2 can be used a number of ways:

- provide lighting as an ordinary outdoor fixture that doubles as an emergency fixture, or,
- an emergency only fixture

Its unique design also allows for a switched source, or an internally mounted photocell.

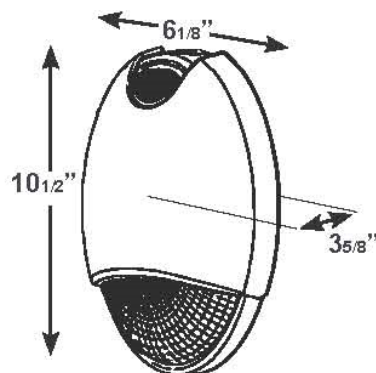
Constructed of die-cast aluminum with a polycarbonate refractor and finished in epoxy powder coat, the WEATHER-EYE is gasket sealed ready for use in both outdoor and indoor applications.

The Cold Weather Package (CW) option includes an internal heater and is listed for applications down to -20°C

SELF-TEST / DIAGNOSTIC (Standard)

Continuously monitors the critical functions of the equipment, including: battery disconnect, battery failure, charger failure, transformer failure and lamp failure. Self-Testing routine performs a one minute test every 30 days, a 30 minute test on the 6th month, and a 90 minute test Annually.

DIMENSIONS



STANDARD FEATURES

- Long-life, efficient ultra-bright white LED
- Two 3 watt LEDs per unit
- If one LED fails, the other will remain lit
- Mirror-bright reflector and prismatic polycarbonate refractor
- Dual 120/277 voltage
- Charge rate / power "ON" LED indicator light and push to test switch for mandated code compliance testing.
- 4.8V long-life, maintenance-free, rechargeable NiCd battery
- Internal solid-state transfer switch automatically connects the internal battery to LED board for minimum 90-minute emergency illumination.
- Fully automatic solid-state, two-rate charger initiates battery charging to recharge a discharged battery in 24 hours
- Surface mount via easy connect back plate that fits most standard size junction boxes.
- Universal K/O pattern on back plate for wall mount

AGENCY APPROVALS

Meets UL924, NFPA 101 Life Safety Code, NEC, OSHA, Local and State Codes. UL listed for wet locations. (0°C - 50°C)

WARRANTY

Five year warranty on all electronics and housing. Battery is pro-rated for five years.

Fixture Type:	
Model Number:	
Project:	

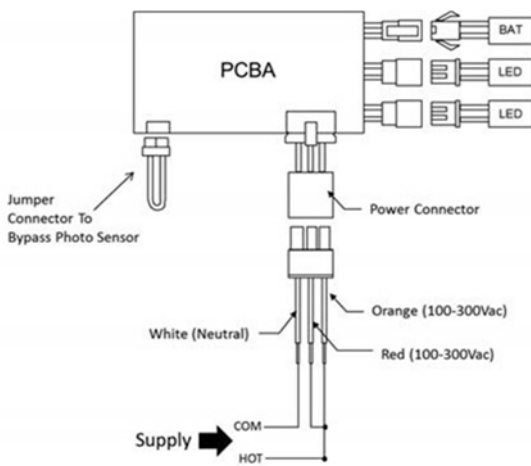
ELECTRICAL SPECIFICATIONS

CATALOG NUMBER	INPUT WATTS (W)		INPUT AMPS (A)	
	120V	277V	120V	277V
AWEL2 (w/AC on)	9.0	8.89	0.131	0.068
AWEL2 (w/AC off)	2.04	2.15	0.035	0.022
AWEL2-CW (w/AC on)	18.47	58.89	0.210	0.248
AWEL2--CW (w/AC off)	11.51	52.15	0.114	0.202
AWEL2--PC (w/AC on)	9.0	8.89	0.131	0.068
AWEL2--PC (w/AC off)	2.04	2.15	0.035	0.022
AWEL2--CW-PC (w/AC off)	18.47	58.90	0.210	0.248
AWEL2--CW-PC (w/AC off)	11.51	52.15	0.114	0.202

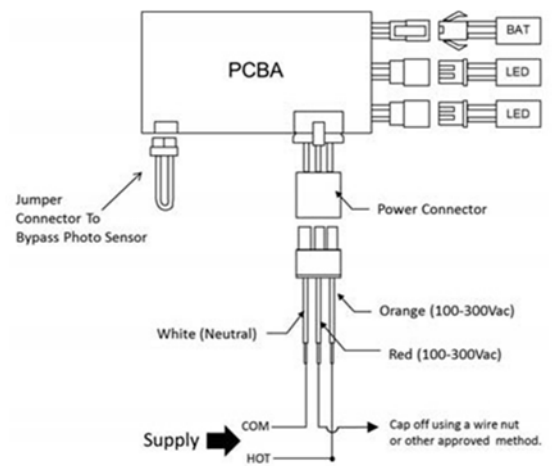
WIRING DIAGRAMS

Field selectable wiring allows for "AC" operation of the unit to be controlled by a wall switch, a photocell, or any other switching method.

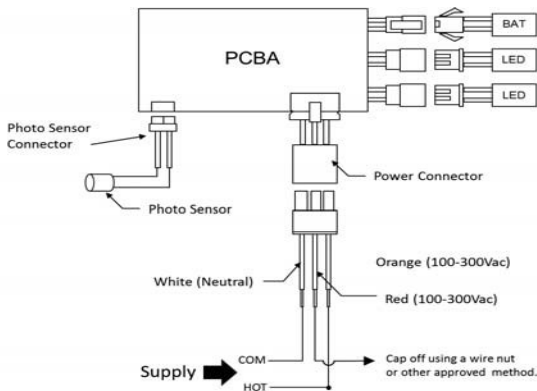
Normally On



Normally Off



Photocell Controlled



Locally Switched

